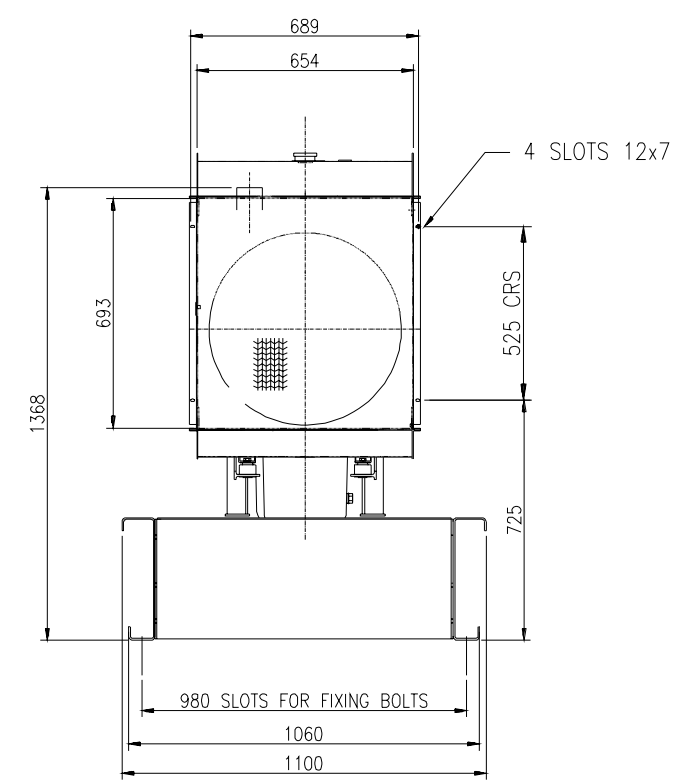
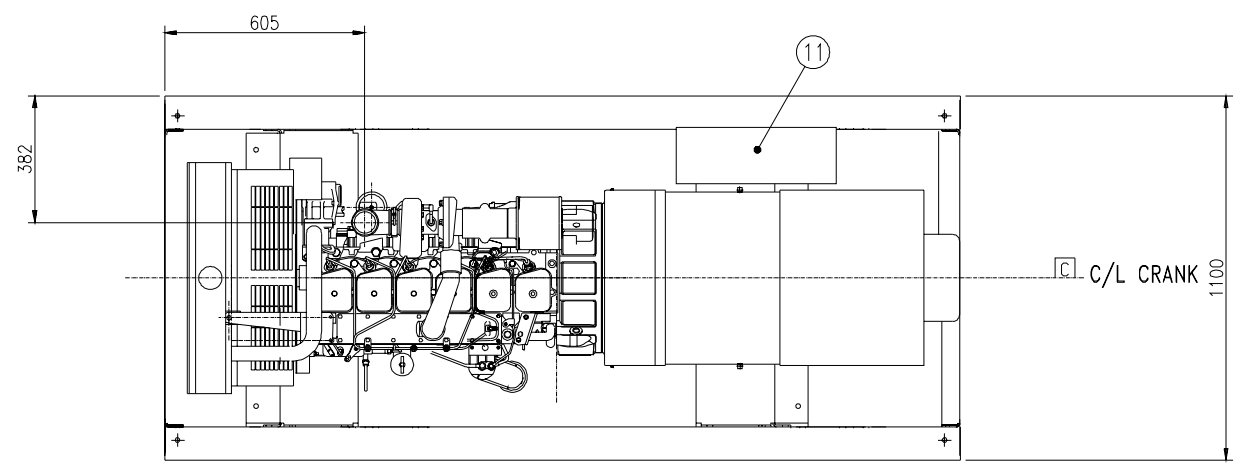


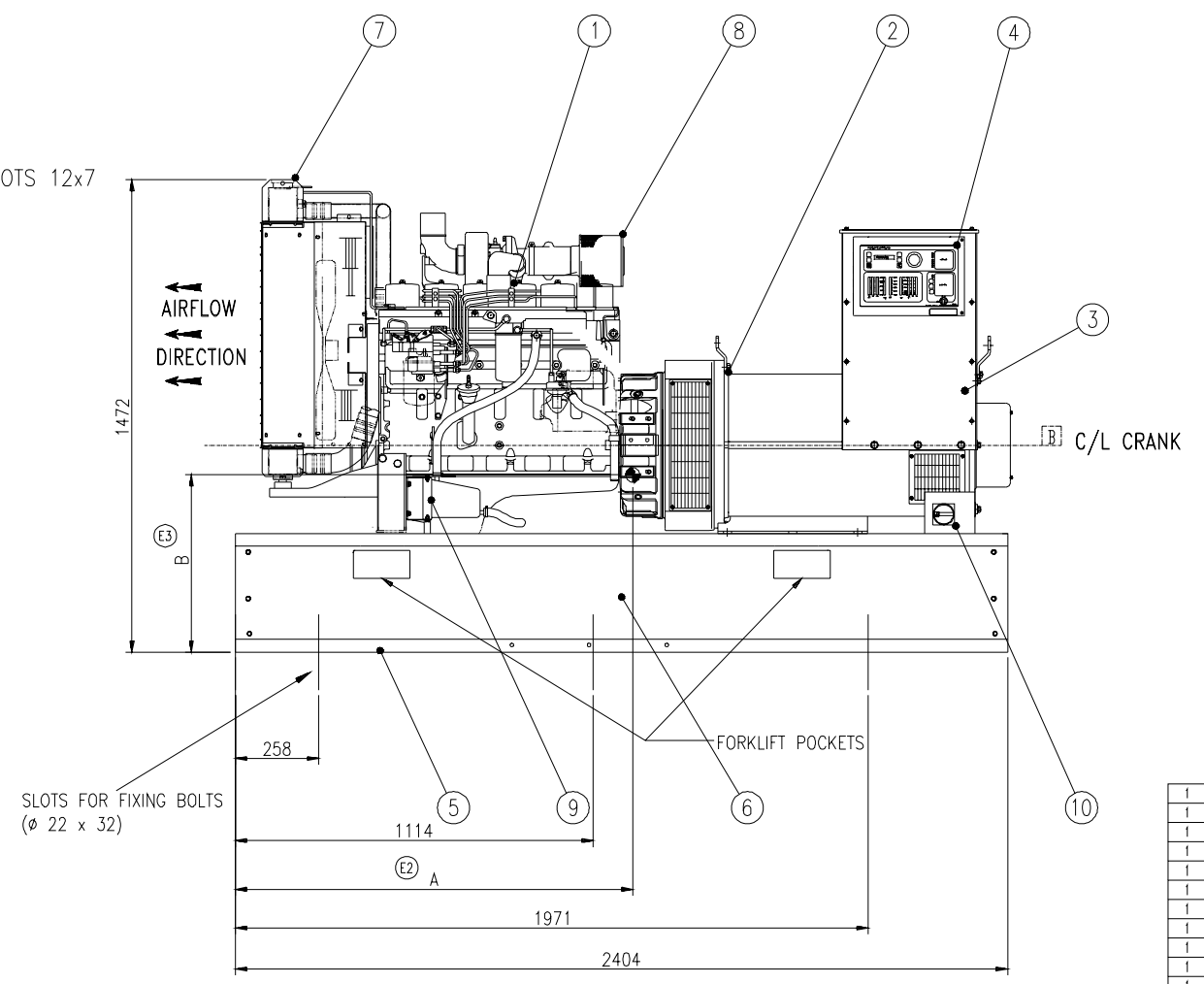
REV. No.	LTR No.	REVISION	ZONE	DRN	CHKD	APPROVED	DATE
ERK8545	A	1	PRODUCTION RELEASE	JM	AA	JONES	05/10/03
ERK8767	B	1	ALTERNATOR CORE LENGTH SPECIFIED	JM	AA	BARGENT	04/02/04
	B	2	FORKLIFT POCKETS CLARIFIED	JM	AA	BARGENT	04/02/04
	B	3	GENSET DATA ADDED	JM	AA	BARGENT	04/02/04
ERK9371	C	1	TABULATION ADDED	A15	AA	BARGENT	27/05/04
ERK11161	D	1	FIXING DIMENSION ADDED	13C	JM	BARGENT	07/05/05
	D	2	FIXING DIMENSIONS ADDED	BC	JM	BARGENT	07/05/05
ERK12887	E	1	CENTRE OF GRAVITY SECTION ADDED TO TABULATION - WEIGHTS TABLE	12B	HL	CONNOLLY	26/04/2006
	E	2	DM A ADDED	9B	HL	CONNOLLY	26/04/2006
	E	3	DM B ADDED	11D	HL	CONNOLLY	26/04/2006

NOTES:

- REMOVE ALL BURRS AND SHARP EDGES.
- TERMS AND CONDITIONS CAN BE FOUND AT THE FOLLOWING :- www.cumminspower.com/terms



TABULATION - WEIGHTS				CENTRE OF GRAVITY	
DRY (kg)	WET (kg)	WET (kg) WITH FUEL	MODEL	A	B
1167	1216	1505	C150 D5	1237	552
1167	1216	1505	C135 D6	1237	552



RADIATOR DATA

FREE AIR FLOW: 2.3 m³/s
 MAX. DUCT ALLOWANCE: 3/4"
 AIR FLOW AT MAX. DUCT: 2.2m³/s

EXHAUST DATA:

GAS FLOW: 0.479 m³/s
 MAX. BACK PRESSURE: 10.2 kPa

QTY	ITEM	PART No.	ENG SIZE	DESCRIPTION OR MATERIAL
1	11	REF	-	BATTERY
1	10	REF	-	COOLANT HEATER TERMINAL CONTROL BOX
1	9	REF	-	COOLANT HEATER
1	8	REF	-	AIR CLEANER - STANDBY
1	7	REF	-	RADIATOR
1	6	REF	-	FUEL TANK - 340L (NOT SHOWN)
1	5	REF	-	SKID ASSY
1	4	REF	-	CONTROLLER - PCC2100
1	3	REF	-	CONTROL HOUSING - UC274
1	2	REF	-	ALTERNATOR - UC274E
1	1	REF	-	ENGINE - 6BTA5.9-G2

TOLERANCE UNLESS OTHERWISE SPECIFIED	SHALL TO	DATE	<p>Cummins Power Generation Columbus Avenue, Manston, Ramsgate Kent, CT12 5BF, England, UK</p>
X = ±3 XX = ±1 XXX = ±0.5	DRAWN	05/10/03	
THIRD ANGLE PREDOMINATION	CHECKED	06/10/03	TITLE: GENSET OUTLINE SITE CODE: PGK ENG No: 0500-3915 SHEET 1 of 1 DWG No: A1
0.09-4.99 = +0.15/-0.08 5.00-9.99 = +0.20/-0.10 10.00-17.99 = +0.25/-0.13 17.99-24.99 = +0.30/-0.15	APPROVED	06/10/03	
AutoCAD	DO NOT SCALE PRINT	ANGLE TOL: ±1.0° SCALE: 1:10	THE DOCUMENT IS THE PROPERTY OF CUMMINS POWER GENERATION. IT IS TO BE USED ONLY FOR THE PROJECT AND SITE SPECIFICALLY IDENTIFIED BY THE DRAWING NUMBER AND DATE. IT IS NOT TO BE REPRODUCED OR TRANSMITTED IN ANY FORM OR BY ANY MEANS, ELECTRONIC OR MECHANICAL, WITHOUT THE EXPRESS WRITTEN PERMISSION OF CUMMINS POWER GENERATION.